

REVISIONS		
LETTER	DATE	DESCRIPTION

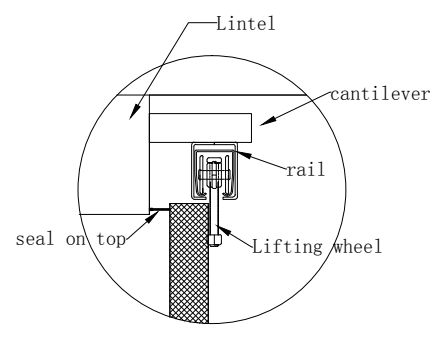
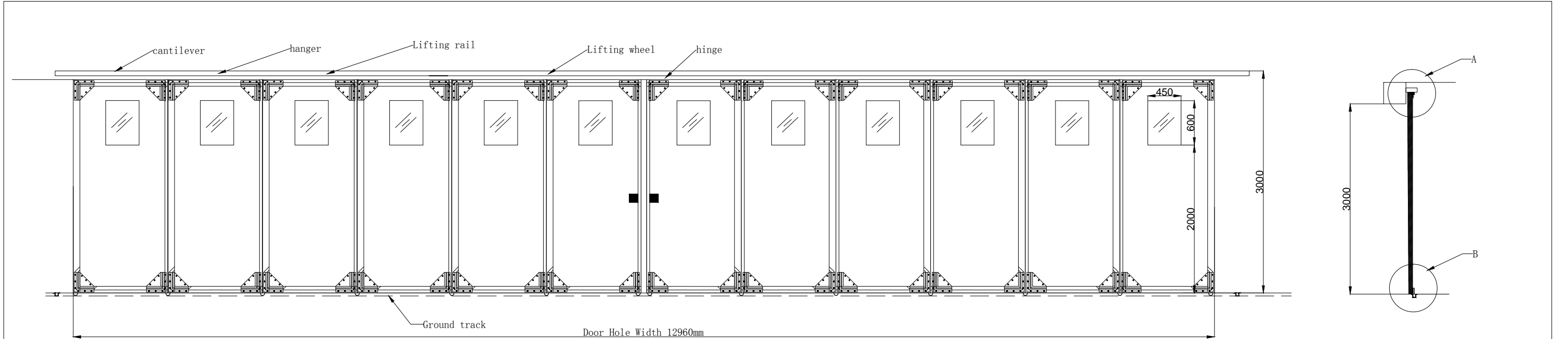
Client: \_\_\_\_\_  
 Location: \_\_\_\_\_

Design By: \_\_\_\_\_  
 Drawn By: \_\_\_\_\_  
 Checked By: \_\_\_\_\_  
 Approved By: \_\_\_\_\_

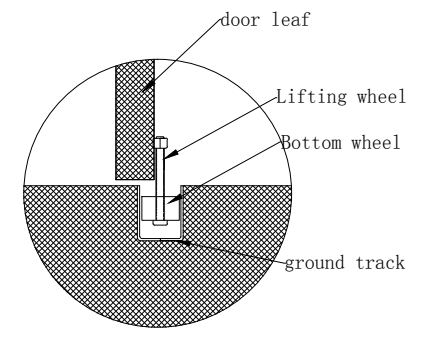
Wind Speed	Km/h
Design Snow Load	KN/m <sup>2</sup>
Roof Dead Load	KN/m <sup>2</sup>
Roof Live Load	KN/m <sup>2</sup>
First Floor Dead Load	KN/m <sup>2</sup>
First Floor Live Load	KN/m <sup>2</sup>
Second Floor Dead Load	KN/m <sup>2</sup>
Second Floor Live Load	KN/m <sup>2</sup>
Seismic Intensity	

Stage: \_\_\_\_\_

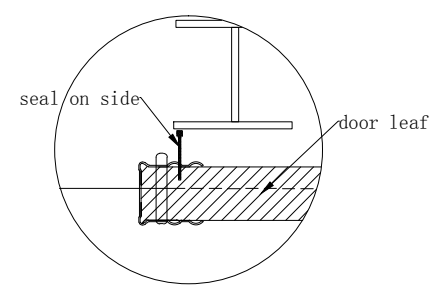
Project:            Arc roof  
 Drawing Title:             
 Drawing Number:             
 Version:             
 Date:



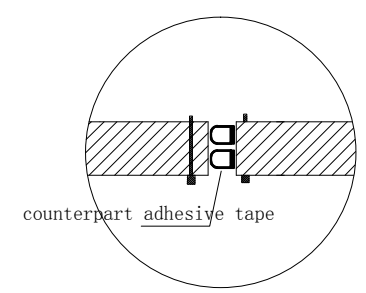
A  
1:5



B  
1:5



C  
1:10



D  
1:10